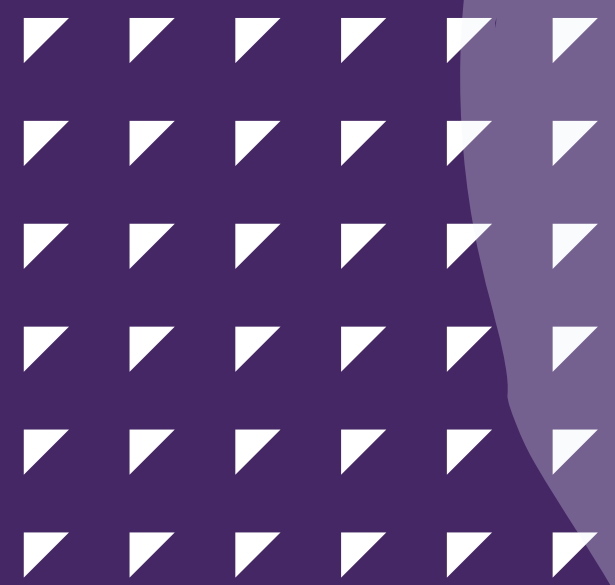




roby
box

roby.com.tr



Product Presentation

What's RobyBox ?

RobyBox is a security box that can be easily fastened to a beach umbrella or any suitable place for its intended use. It allows you to store items such as your phone, tablet, wallet, glasses, power bank, keys, jewelry, and other valuables inside. It can be opened with a waterproof wristband....

One of the problems we undoubtedly face in shared living spaces is the security concern we have for our belongings.

Swimming, exercising, taking time for ourselves to relax; undoubtedly, among the factors that will enhance our quality of life is safely storing and protecting our personal belongings of both economic and sentimental value while engaged in these activities, and then easily accessing them.



What's RobyBox ?

RobyBox steps in right at this point, completely eliminating the security concerns we have for our valuable belongings in shared spaces!

RobyBox also puts an end to the hassle of carrying keys. Whether you're at the beach, by the pool, working out, or in the sauna, the era of not finding a place to put your keys, dropping them, or losing them is now over. All you need to do is easily fasten the water and sweat-resistant, highly flexible, and comfortable silicone wristband around your wrist. With no worries about it falling, getting lost, or getting damaged by water, as soon as you bring the wristband close to the cover of RobyBox, its advanced lock technology activates and easily grants you access to your belongings. It's as simple as making contactless payments with your card!



RobyBox Usage Areas

We live in an age of communication where people can endure hunger but cannot tolerate being without internet access for even a moment. We keep our phones with us not only for socializing but also for the convenience they provide, such as withdrawing money and shopping.

Naturally, since we wouldn't prefer to put our phones and other belongings in our pockets and go swimming in the sea, beachside businesses undoubtedly have a significant stake in RobyBox increasing customer satisfaction.

Hotels, resorts, beach clubs, swimming pools, and water parks, among others, as well as businesses, associations, clubs, municipalities, schools, and basically anywhere where personal belongings' security is essential and where customer, member, employee, citizen, or student satisfaction matters, can benefit from the satisfaction and security that RobyBox will provide.



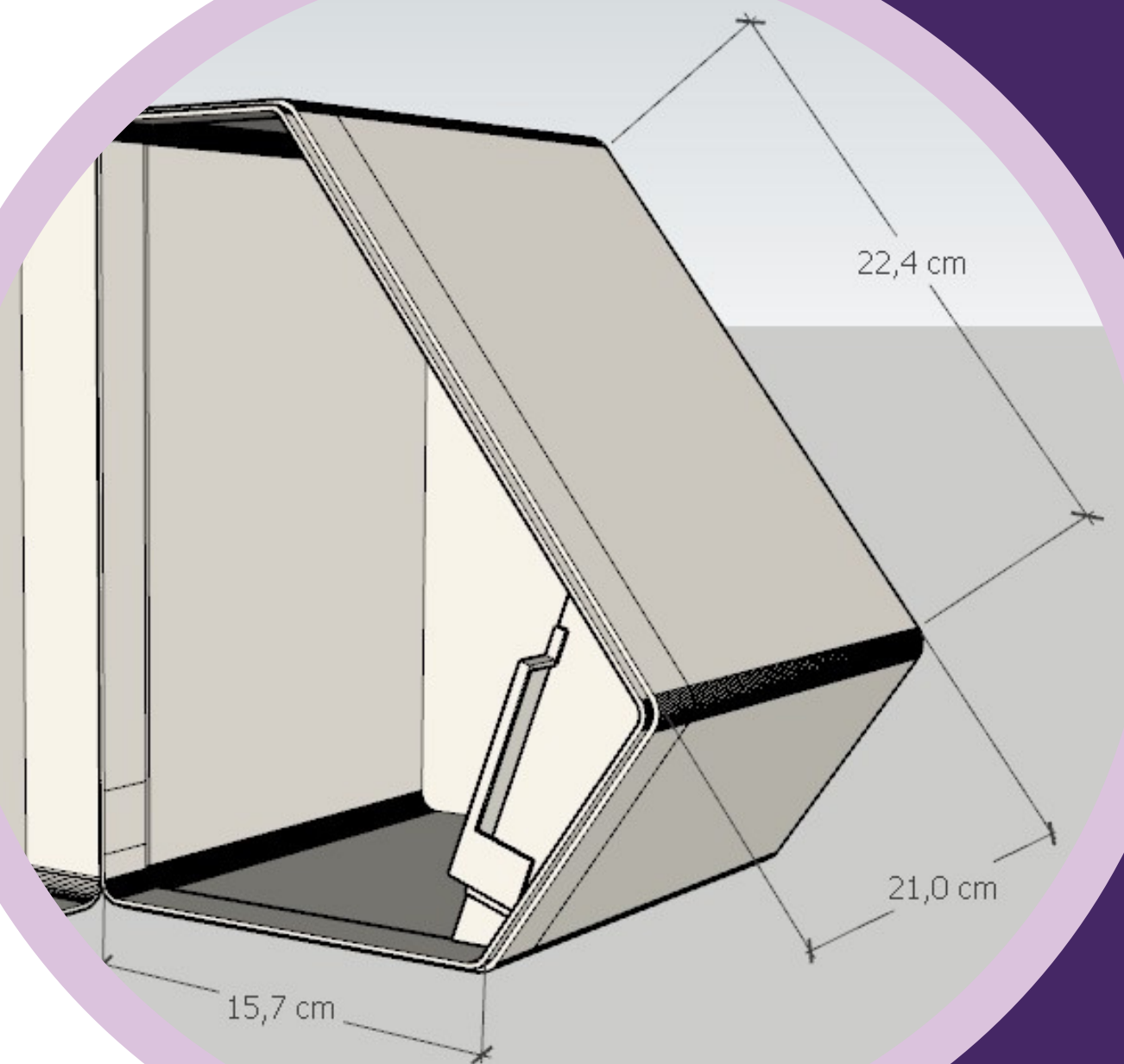
Features of RobyBox

RobyBox features a sturdy metal body with dimensions that comfortably accommodate even tablets. It weighs 2.5 kilograms, has a spacious 7-liter interior capacity, and is equipped with protection suitable for outdoor conditions.

RobyBox can be easily mounted onto beach umbrella poles with a wide diameter range of 25-100mm. Its assembly kit is designed to be secure and not easily removable by hand, adding an extra layer of safety. Additionally, its construction is robust, ensuring that it cannot be easily broken or opened.

The interior capacity of RobyBox is sufficient to comfortably accommodate the valuable belongings of two people.

RobyBox comes with 10 silicone wristbands. In the event that all wristbands associated with a box are lost, new wristbands can be ordered in sets of 10. Wristbands assigned to one box cannot open others, ensuring security and access control.



Features of RobyBox

Businesses that have RobyBox can derive profits not only from customer satisfaction and security but also from various opportunities for monetization. RobyBox's front, top, and side areas, which enable advertising and brochure applications, offer numerous opportunities such as attracting attention, advertising, and allowing orders via QR codes that can be converted into revenue.

Displaying brand advertisements or cafe-restaurant ordering options on this product, which users frequently interact with and is located right next to them, provides the advantage of turning the product into a center of attraction. These opportunities can help businesses recoup their investment in a short period of time.



Features of RobyBox

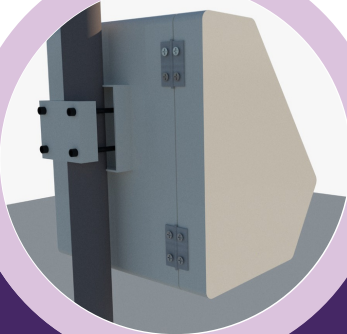
RobyBox's advanced locking system, which easily opens when the silicone wristband is brought close to the cover, operates on 4 AA alkaline batteries. It's important to note that non-alkaline batteries may provide a shorter lifespan, so businesses should consider this when maintaining the device.

Although the expected 10,000 opening cycles under ideal conditions with alkaline batteries may seem sufficient for comfortably lasting through a summer season, it's important to consider the environmental conditions to which the batteries may be exposed in outdoor settings.

RobyBox is equipped with a power socket that can be used to externally power the locking system in case the batteries run out. This hidden socket, located under the cover, allows for the box to be opened by connecting an external battery block provided with the boxes, similar to an adapter, making it easy to replace the batteries.



What RobyBox Brings to Your Business



Easy and secure installation

It can be easily mounted on beach umbrella poles with a wide diameter range of 25-100mm, and it has a mounting kit that cannot be easily removed or carried by hand, along with a structure that cannot be easily broken or opened.



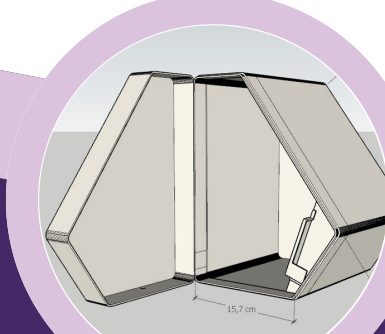
Keyless, wristband-operated advanced lock technology.

Equipped with an innovative lock technology that allows the box to be opened by providing external power with an easily replaceable battery block, even if the internal batteries run out.



Applicable external surfaces for advertising and promotion.

It also comes with front, top, and side areas that allow for advertising and brochure applications, offering various opportunities for monetization such as grabbing attention, advertising, and enabling orders through QR codes.



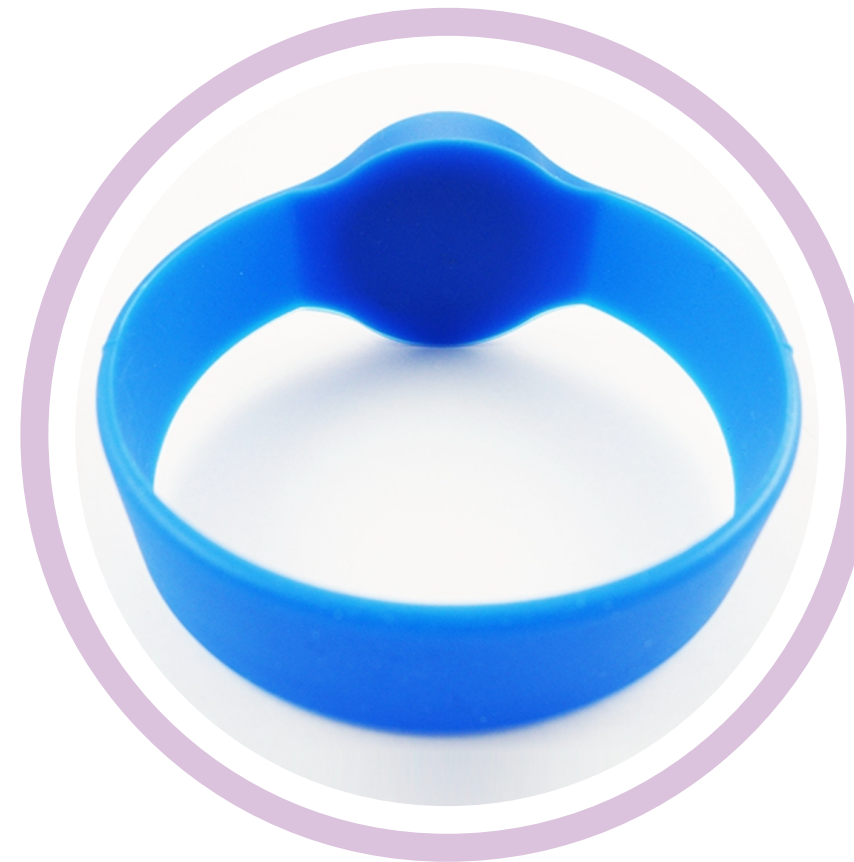
Spacious interior capacity.

It has a spacious interior capacity of 7 liters with dimensions that can comfortably accommodate even tablets, providing ample space to safeguard all the valuable belongings of two individuals.

What's Inside RobyBox?



A keyless, contactless, spacious interior security box with a metal body suitable for outdoor conditions, opened using a wristband.



Each box comes with 10 water and sweat-resistant, flexible, and comfortable silicone wristbands.

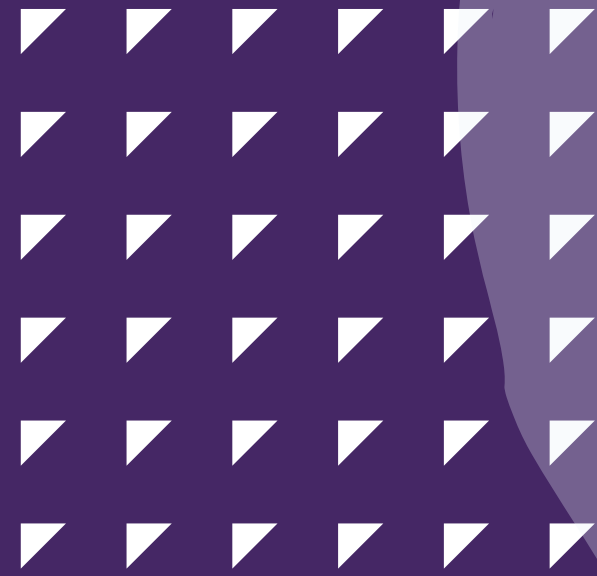


In the event of the four AA alkaline batteries running out, an external power-supplying battery block can be connected to the hidden socket.

Advanced locking system

Easy assembly

Innovative design



roby
box

roby.com.tr

Sports, Pool, Beach,

Your valuables,

Safe with it.



————— Everywhere for everyone —————